

The Cardiff

DORIX® Smart Handle Lock



British Engineered

Mobile Access, Fingerprint, PIN Code, Key Override

Smart Home Integration, Wireless Online (via Gateway), Touch Keypad, Premium Body

The DORIX Smart Handle Lock is inspired by Cardiff Castle's heroic protection of families within its walls during the darkest days of World War II.

The Cardiff is thoughtfully engineered to protect your interior and light-duty entry doors. Every time you open your door, you'll be reminded of a history of trust, resilience, and care, giving you peace of mind in your sanctuary.

The Cardiff is built for speed, comfort and intuitive control. The DORIX Smart Handle Lock offers seamless keyless access via fingerprint, PIN code, and Bluetooth through the DORIX App. It's ideal for secondary entry points, private rooms, rental flats, office spaces, student accommodations, and HMOs where convenience, speed, and smart functionality matter most.

The Cardiff is made from durable aluminium alloy; the lock's smooth handle is ergonomically designed for daily use. The responsive touch keypad and fingerprint reader are built for speed and accuracy, while the virtual password function protects your PIN even when others are watching.

Key Features

- **4 Unlocking Methods:** DORIX App, Fingerprint, PIN code, and Key Override
- **Wireless Online:** Via an optional DORIX BLE-to-Wi-Fi gateway (DXAC20)
- **App Control:** Remote unlock, user management, PIN code updates, alerts, and log history
- **Smart Home Integration:** Works with the DORIX App, Smart Life, and Tuya Smart platforms



- **AI-enhanced Fingerprint Sensor:** Semiconductor reader, <0.5s unlock time
- **Virtual PIN code Entry:** Anti-peep function prevents PIN observation
- **Passage Mode:** Enables free entry when required
- **Voice Guidance:** Built-in voice prompts, adjustable volume
- **Power:** 4× AAA batteries with USB-C emergency input
- **Premium Finish:** Matt black durable aluminium alloy
- **Simple Installation:** Fits in as little as 15 mins

Technical Specifications

Model Code	DXSL10
SKU	DXSL1000054002
Trademark	Cardiff
Material	Aluminium alloy body
Finish	Matt black
Unlocking Options	DORIX App, Fingerprint, PIN code, Key Override
Fingerprint Sensor	Semiconductor, <0.5s recognition, AI-powered
Keypad	Capacitive touch keypad with backlit digits and virtual PIN masking
User Capacity	Up to 20
Fingerprint Capacity	Up to 20
PIN code Capacity	Up to 20
Power Supply	4× AAA alkaline batteries
Battery Life	10-12 months
Emergency Power	USB-C
Low Battery Alarm	Triggered at <4.8V
Working Temperature	-25°C to +70°C
Humidity Range	20-90% RH
Mortice Type	Tubular latch mortice lock (DXML10)
Backset Option	60mm / 70mm adjustable with an 8mm spindle
Connectivity	Bluetooth (Wireless Online via an optional BLE-to-Wi-Fi gateway)
App Control	Remote control, user management, PIN code updates, alerts, log history, and OTA firmware updates.
Smart Home Integration	Via DORIX App, Smart Life App, or Tuya Smart App



The Cardiff

DORIX® Smart Handle Lock



Door Thickness	35-60mm
Voice Support	Built-in voice prompts, adjustable volume
Passage Mode	Yes
Anti-Tamper	No
Opening Way	Left-hand or right-hand configurable
Handle Design	Reversible
Handle & Rose Length	166mm (front) / 165mm (back)
Handle & Rose Depth	66mm
Rose Dimensions	68mm (W) × 69mm (H) × 14mm (D)
Recommended Use	Secondary entry points, interior and light-duty doors
Weatherproof	No – Indoor/sheltered use only
Certification & Compliance	CE, UKCA, FCC, RoHS, ISO 9001
GTIN	5061099880015

Installation & Maintenance

- Fit time: Approx. 15 minutes
- Tools: Drill + screwdriver
- Replace batteries every 10-12 months (based on usage) or as needed
- Clean the sensor and keypad gently with a dry cloth
- Apply silicone grease to the mortice latch if needed

Warranty & Support

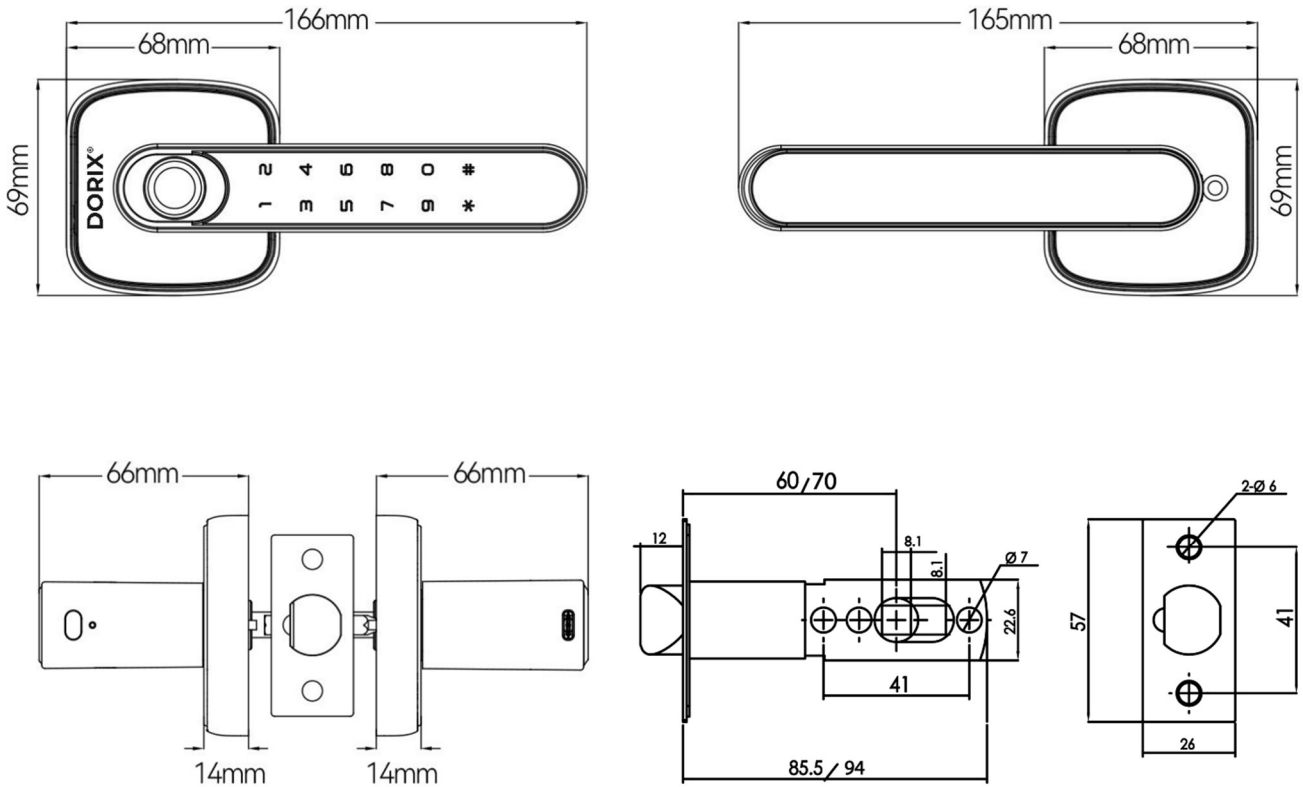
- 2-year standard warranty, extendable to 5 years. UK-based customer service

What's Included

- The Cardiff, DORIX Smart Handle Lock – DXSL10
- DORIX Tubular Latch Mortice Lock – DXML10
- 2× Override keys
- 4× AAA Duracell alkaline batteries
- Installation accessories (screws, spindles, strike plate)
- Installation template
- Installation and user manual
- DORIX Warranty Card



Mechanical Dimensions



Digital Access & Resources

