

The Skipton

DORIX® Smart Cylinder Collection

DXSC10, DXSC20, DXSC30, DXSC40, DXSC50



*UK Engineered
Mobile Access, RFID, NFC
Smart Home Integration, Wireless Online (via Gateway), Waterproof, Premium Body*

The DORIX Smart Cylinder is inspired by Skipton Castle's three-year stand against siege during the Civil War. Despite isolation and relentless attacks, its walls never yielded until peace terms were negotiated. This endurance made Skipton a lasting symbol of resilience and adaptability in times of uncertainty.

The Skipton collection is designed with the same philosophy of legendary strength, combining smart convenience with proven security. It offers secure, keyless control across a wide range of applications. Whether it's a front door, flat, rental property, office, cabinet, or outbuilding, Skipton adapts to the cylinder you already have with five types: Thumbturn, Screw-in, Rim, Cam, and Scandinavian (oval).

Key Features

- **3 Unlocking Methods:** RFID card, NFC, and DORIX App
- **Wireless Online:** Via an optional DORIX BLE-to-Wi-Fi gateway (DXAC20)
- **App Control:** Remote unlock, user management, alerts, and log history.

www.dorix.com

Document Updated: 06/10/2025

Subject to technical modifications. We assume no liability for mistakes or printing errors.

© 2025 DORIX Ltd. All rights reserved.



The Skipton

DORIX® Smart Cylinder Collection

DXSC10, DXSC20, DXSC30, DXSC40, DXSC50



DORIX®
Beyond Access

- **Smart Home Integration:** Works with the DORIX App, Smart Life, and Tuya Smart platforms
- **Outdoor-ready:** IP68 protection, Corrosion resistance and -25 °C to +65 °C operating range
- **High Security:** Free-rotating outer knob, anti-drill, mechanical attack resistance, high-frequency resonance resistance
- **Quiet operation:** Smooth electronic clutch with low-noise drive
- **Flexible sizes:** Base 32.5/32.5 mm Euro core, extendable up to 62.5mm on one side
- **Low running cost:** 2 × CR2 lithium with up to 25,000 cycles (typically 2 years)
- **Simple Installation:** Fits in as little as 10 minutes
- **Smoke Resistance:** suitable for use on smoke door assemblies

Technical Specifications

Model Code	DXSC10
Trademark	Skipton
Material	Stainless Steel, Anodised Aluminium, Brass cylinder
Finish	Matt nickel-plated
Unlocking Options	RFID Card, NFC, DORIX App
Cylinder Types	Thumbturn / Screw-in / Rim / Cam / Scandinavian (Oval)
Sizes	32.5/32.5 mm Euro core, extends up to 62.5mm on one side with 5mm and 10mm extension parts
Handing	Non-handed
User Capacity	Up to 100
RFID Card Capacity	Up to 100
RFID Card Type	Mifare Classic 1K
Reading Range	< 20mm
Power Supply	2 × CR2 lithium
Battery Life	24 months
Low Battery Alarm	Yes
Working Temperature	-25°C to +65°C

www.dorix.com

Document Updated: 06/10/2025

Subject to technical modifications. We assume no liability for mistakes or printing errors.

© 2025 DORIX Ltd. All rights reserved.



The Skipton

DORIX® Smart Cylinder Collection

DXSC10, DXSC20, DXSC30, DXSC40, DXSC50



Waterproof	IP68, completely dust-tight and waterproof
Door Thickness	35-125mm
Connectivity	Bluetooth (Wireless Online via an optional BLE-to-Wi-Fi gateway)
App Control	Remote control, user management, alerts, log history, and OTA firmware updates
Smart Home Integration	Via DORIX App, Smart Life App, or Tuya Smart App
Cycle Testing	Over 1,000,000 operational cycles
Security Features	Free-rotating outer knob, anti-drill construction, mechanical attack resistance, high-frequency resonance resistance
External Power	Electronic protection against reversed polarity or surges
Outer Knob Width	54mm
Outer Knob Height	44mm
Recommended Use	Front door, flat, rental property, office, cabinet
Certification & Compliance	CE, UKCA, FCC, RoHS, ISO 9001 SKG 3 Star BS EN 15684-2020: 1-6-A-4-3-D-3-B
GTINs	5061099880046 (DXSC10) 5061099880053 (DXSC20) 5061099880060 (DXSC30) 5061099880077 (DXSC40) 5061099880084 (DXSC50)



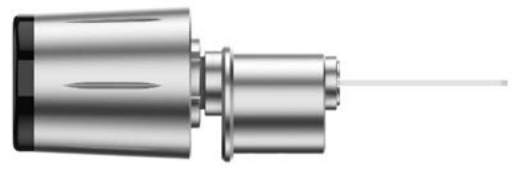
Cylinder Types



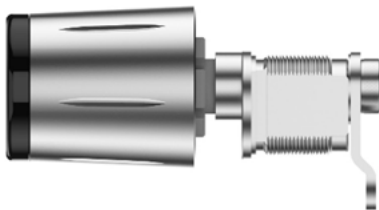
Thumbturn Cylinder
DXSC10



Screw-in Cylinder
DXSC20



Rim Cylinder
DXSC30



Cam Cylinder
DXSC40



Scandinavian (Oval) Cylinder
DXSC50

Installation & Maintenance

- Fit time: Approx. 10 minutes
- Tools required: Screwdriver, Proprietary opening tool (supplied)
- Do NOT use oil or WD-40 lubricants
- Only DORIX Graphite Powder Lubricant (DXAC50) must be used.
- Replace batteries every 24 months (based on usage) or as needed
- Clean gently with a dry cloth



The Skipton

DORIX® Smart Cylinder Collection

DXSC10, DXSC20, DXSC30, DXSC40, DXSC50



Warranty & Support

- 2-year standard warranty (Free activation required via dorix.com)
- UK-based customer service

What's Included

- The Skipton, DORIX Smart Cylinder
- Proprietary opening tool
- 3 × Mifare RFID cards
- 2 × CR2 lithium batteries
- Installation screw(s)
- The Skipton user manual
- DORIX Warranty Card

Digital Access & Resources



www.dorix.com

Document Updated: 06/10/2025

Subject to technical modifications. We assume no liability for mistakes or printing errors.

© 2025 DORIX Ltd. All rights reserved.



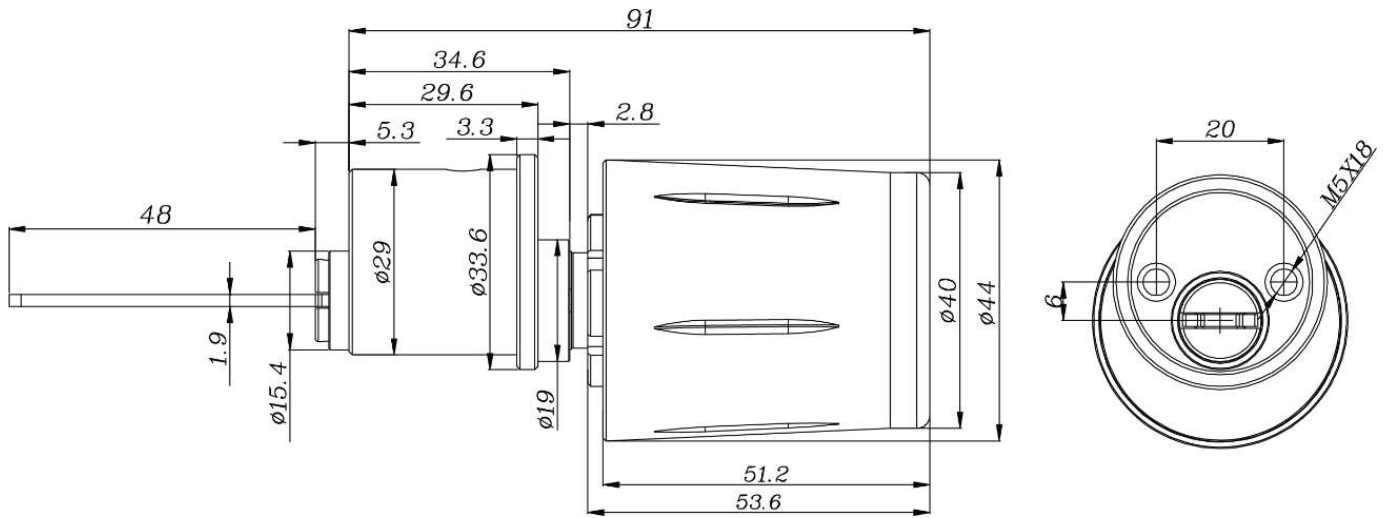


Figure 3. The Skipton, DORIX Smart Rim Cylinder — DXSC30

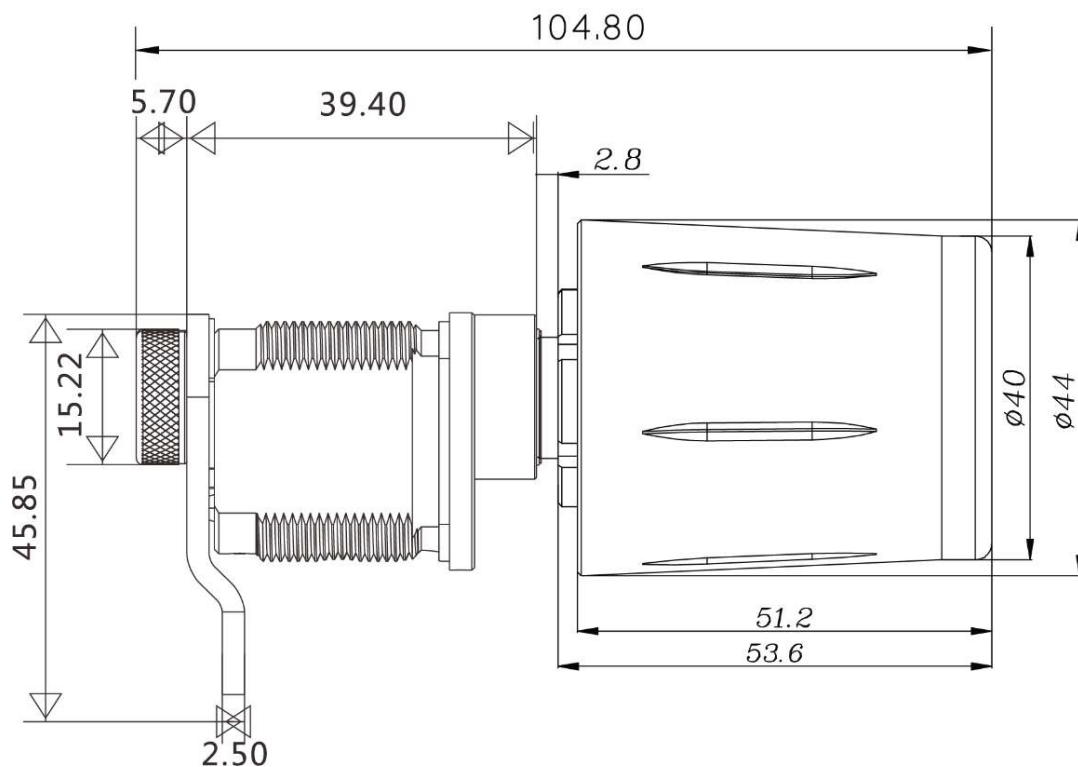


Figure 4. The Skipton, DORIX Smart Cam Cylinder — DXSC40



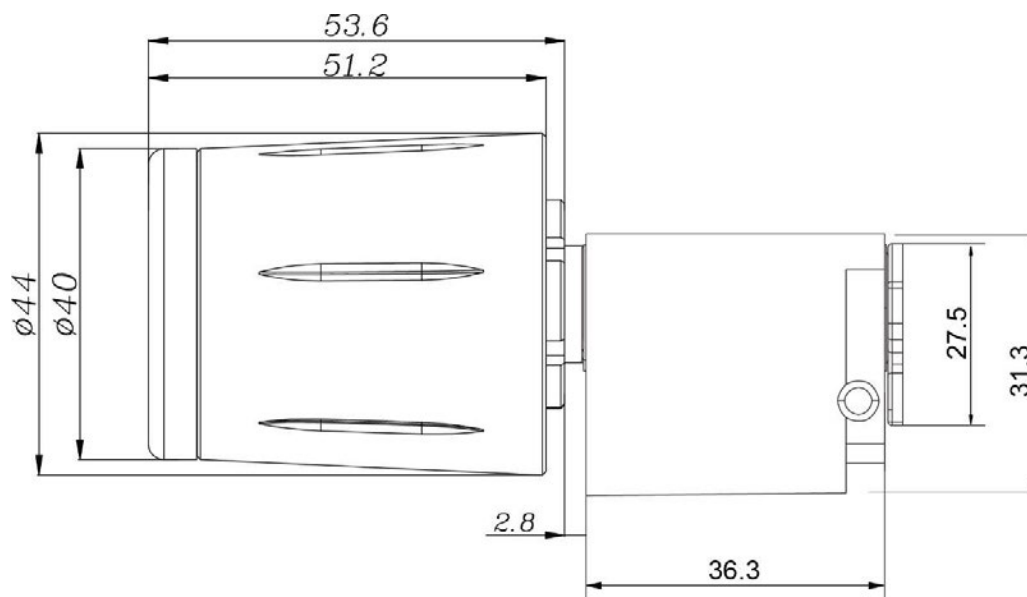


Figure 5. The Skipton, DORIX Smart Scandinavian Cylinder — DXSC50

